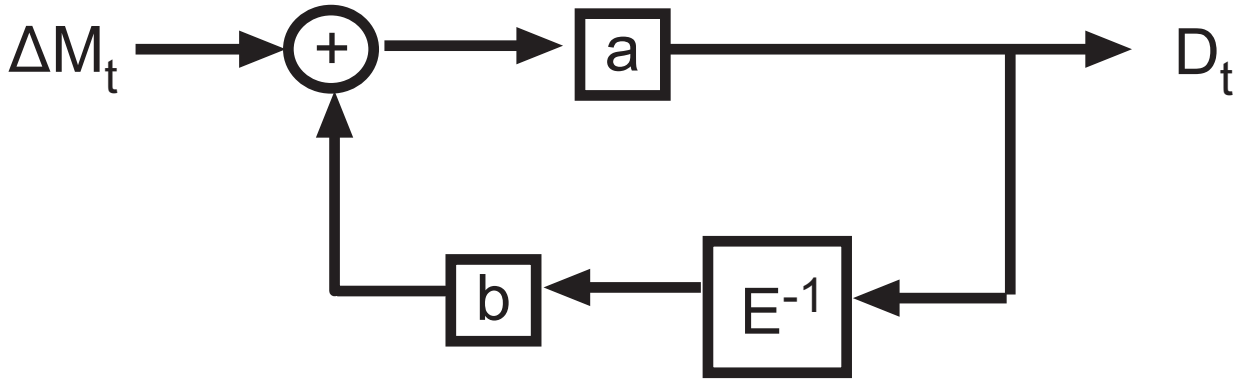


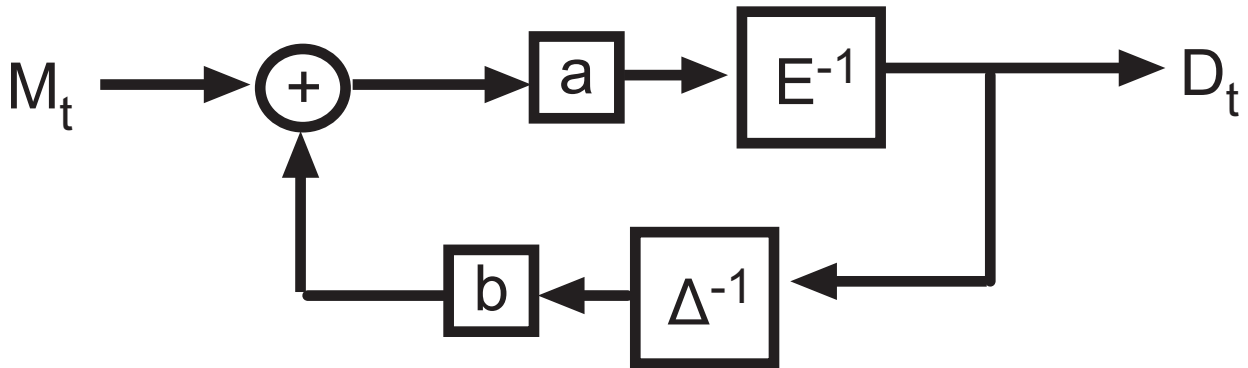
Dr. Courtney Brown, Modeling Social Phenomena
Emory University

Assignment 4a: Extract and simplify the equations from the graph algebra below. Then repeat this after eliminating one time operator (your choice) from each of the graphs below. Compare the results. What happens to your equations? Be sure to show all your work.

1.



2.



3.

